

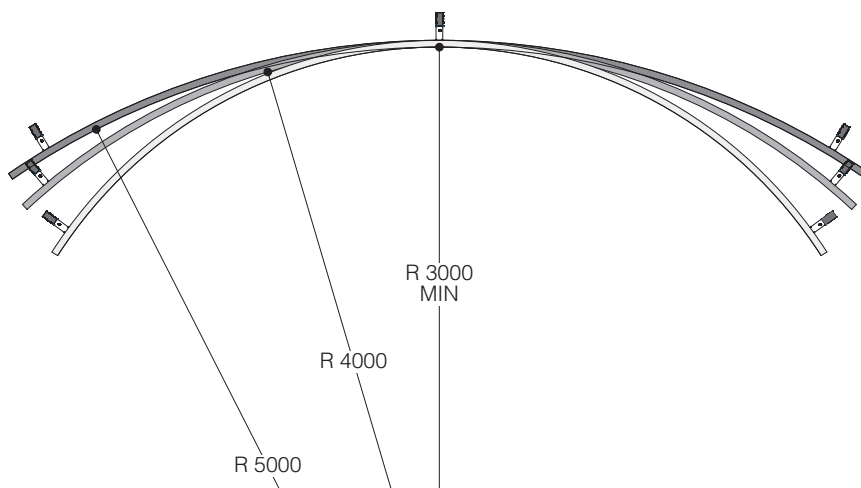


**ARC** is an innovative brand new frame structure developed in order to obtain **curved** screens up till 180°. This screen is suitable to be used both with front projection surfaces and with rear projection fabrics. Arc is an excellent solution for simulation rooms like for military, defense or medical purposes; for leisure and theme parks or museums where the spectator has to be completely involved inside the projection. This product is suitable in all **edge-blending** applications.

*Available in bespoke sizes and bespoke radius.*

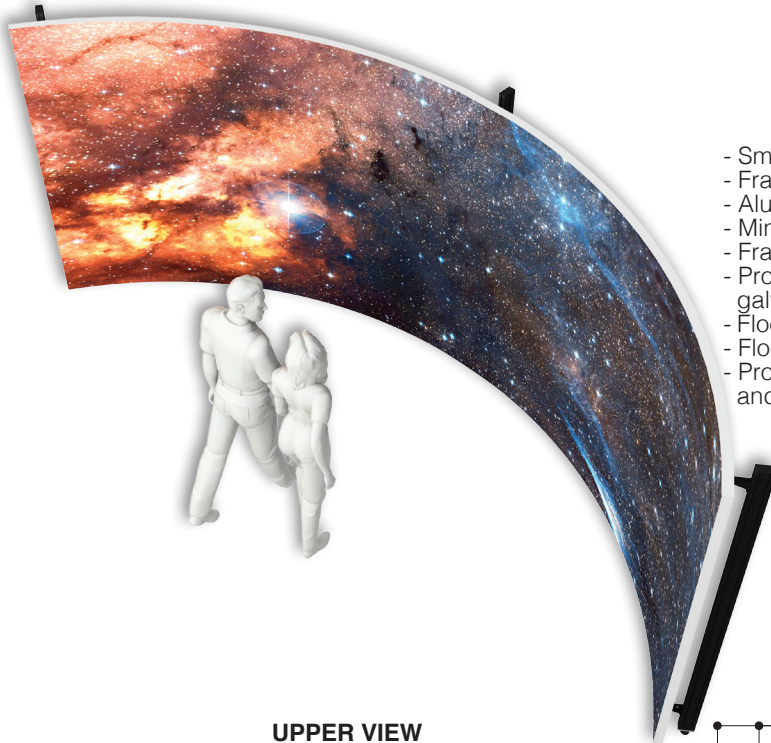


### CUSTOM RADIUS



**Warranty:** 24 months

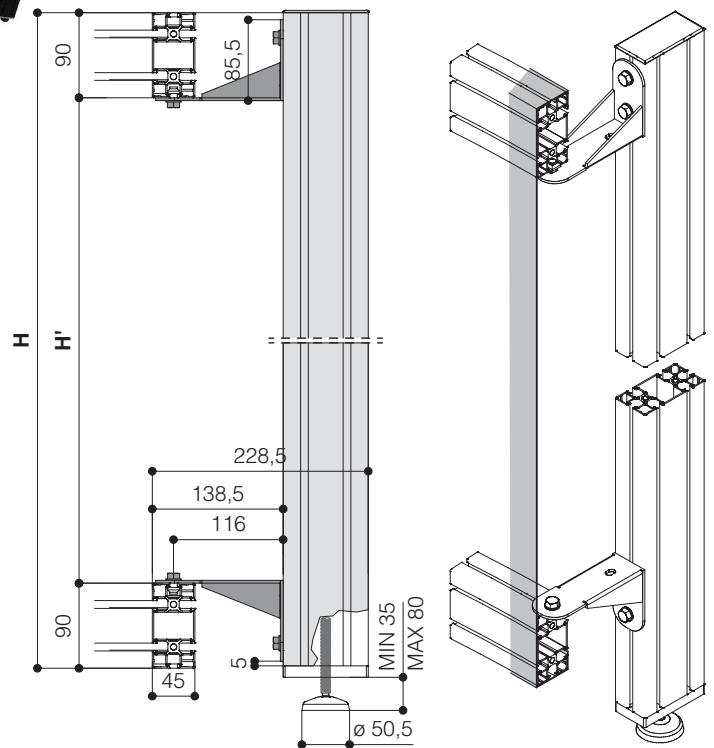
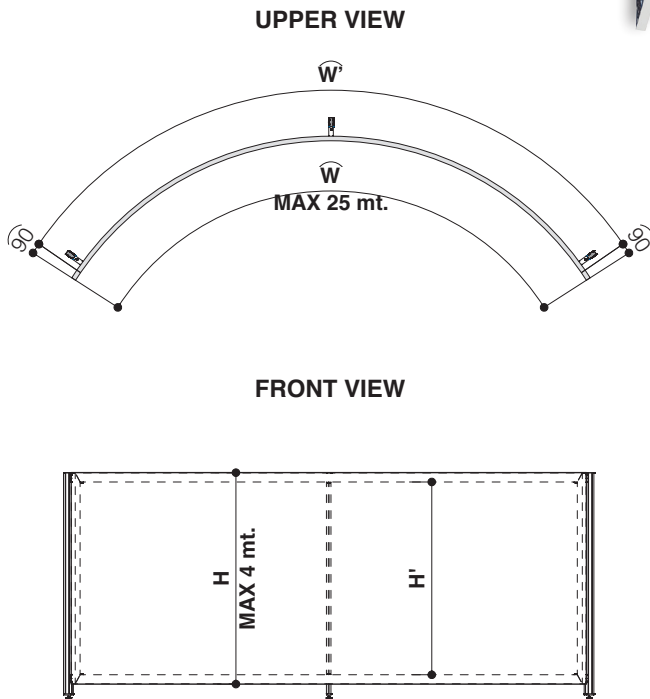
**ENGINEERED LIKE NO OTHER SCREEN IN THE WORLD**



## TECHNICAL SPECIFICATIONS

- Smart design and easy to install
- Frame dimensions: 95x45 mm. (WxD)
- Aluminium frame with 45° aluminium edges
- Minimum radius of curved screen is 3 mt.
- Frame black anodized aluminium
- Projection surface wrap around, anchoring system with galvanized rods and rubber bands
- Floorstands that offers both front and rear projection possibility
- Floorstands with feet adjustable in height
- Projection fabrics are flame-retardant, classification M1, M2 and B1

## FLOORSTANDS



## PROJECTION CLOTHS

Front projection surfaces	Gain	Rear projection surfaces	Gain
White	1.2	Rear Plus	1.1
White Pearl	1.2	Rear Lux R114	2.5
Microholes	1.0	Front Rear	0.9
Lumi Grey	0.8		
Bright Contrast 3D*	1.4		

\*Limited in height

The measures in the drawings are expressed in millimetres.

Example of viewing area of customized screen

**FRONT PROJECTION** (WxH) 12 mt. x 2,25 mt.

**REAR PROJECTION** (W'xH') 11,82 mt. x 2,07 mt.

Warranty: 24 months

[www.screenint.com](http://www.screenint.com)

